



# FLAVOR OVERLOAD

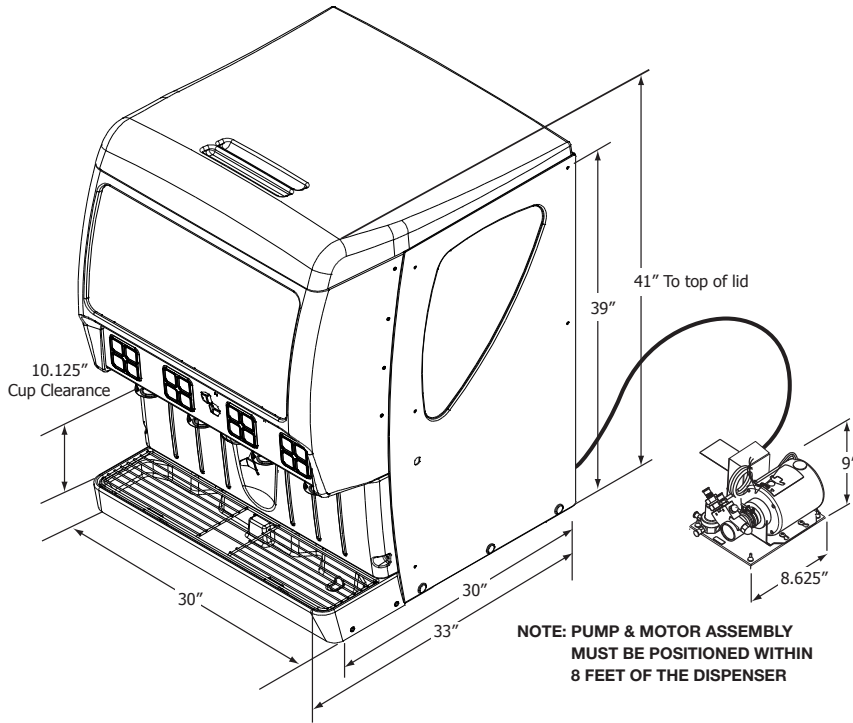
POST-MIX ICE DRINK DISPENSER



MIDNIGHT BLACK

## FEATURES:

- 16 brands in a 30" footprint increases brand density
- Customers have unlimited choices to create personalized drink
- Total flexibility between carbonated/non-carbonated drinks for each brand
- Cold carbonation provides consistent drink quality
- Easy motor removal (does not require removal of ice from hopper or removal of top mounted ice maker)
- Unit available in Midnight Black, Fusion Green, Orange Dream and Gun Metal Gray



**FUSION GREEN**  
OPTIONAL



**GUN METAL GRAY**  
OPTIONAL



**ORANGE DREAM**  
OPTIONAL

| PART NUMBER | DESCRIPTION                            |
|-------------|--|
| 621057613   | Fusion Green                           |
| 621057615   | Gun Metal Gray                         |
| 621057614   | Orange Dream                           |
| 621057612   | Midnight Black                         |
| 629087406   | Leg Kit contains four 4" (102 mm) legs |

Order optional leg kit separately.

**TECHNICAL SPECIFICATIONS:**

DIMENSIONS . . . . . 41"H x 30"W x 30"D  
 GRAPHIC SIZE . . . . . (template available)  
 COUNTER WEIGHT . . . . . 320 lb (plus ice weight)  
 SHIPPING WEIGHT . . . . . 365 lb  
 CAPACITY . . . . . 255 lb ice bin capacity  
 for cubed & chunklet  
 (compressed) ice  
 AMP DRAW . . . . . 120 V / 60 Hz / 9.3 Amps  
 ELECTRICAL RATING . . . . . 115 V +/- 10% (only  
 requires single outlet)  
 WATER SUPPLY PRESSURE . . . . 50-60 psi at pump

CO<sub>2</sub> . . . . . 75 psi at carbonator tank  
 16 BRAND SYRUPS:  
 (14 CHILLED / 2 AMBIENT). . . . . 60 psi/min  
 VALVE OPTIONS . . . . . 16 push button brands  
 2-4 oz/sec valves  
 CUP CLEARANCE . . . . . 10.125"  
 STANDARD FEATURES . . . . . Timed agitation,  
 beverage keyswitch  
 AGENCY LISTINGS  
 PENDING APPROVAL . . . . .



City of Los Angeles

